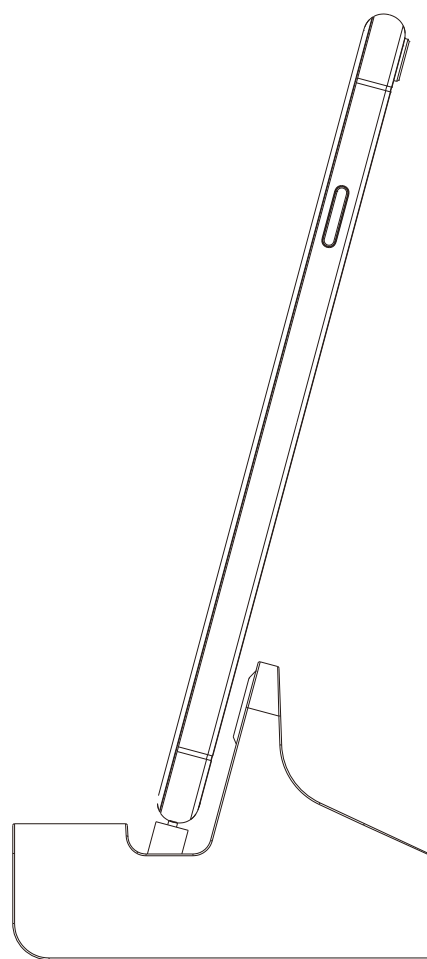
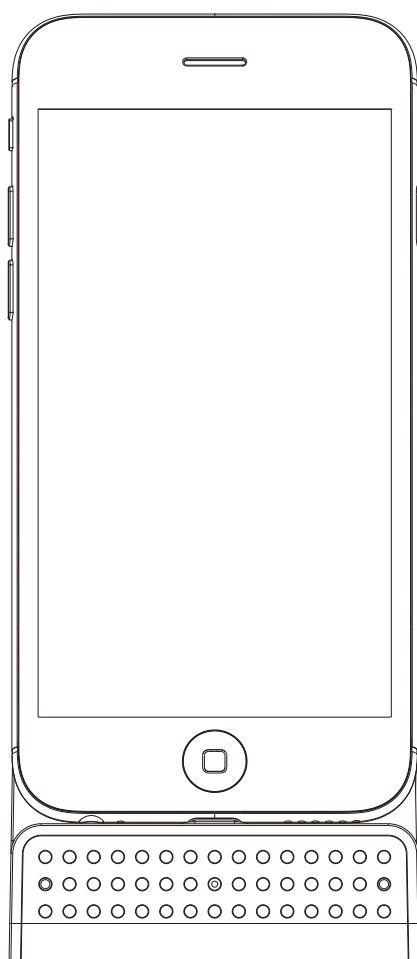


PV-CHG20i(Droid/iOS)

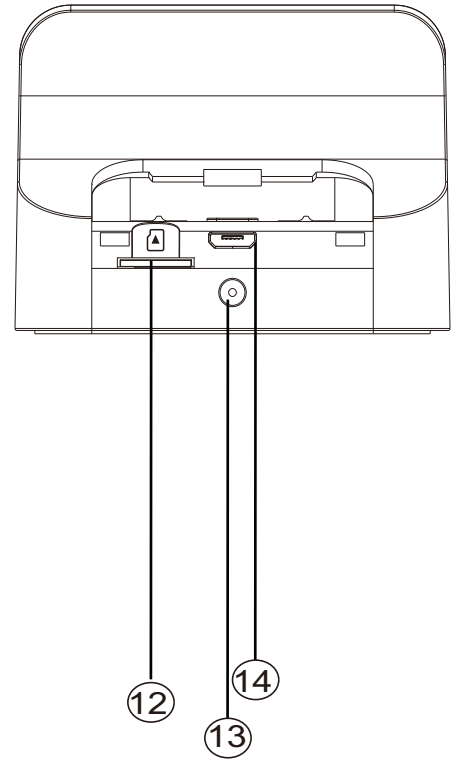
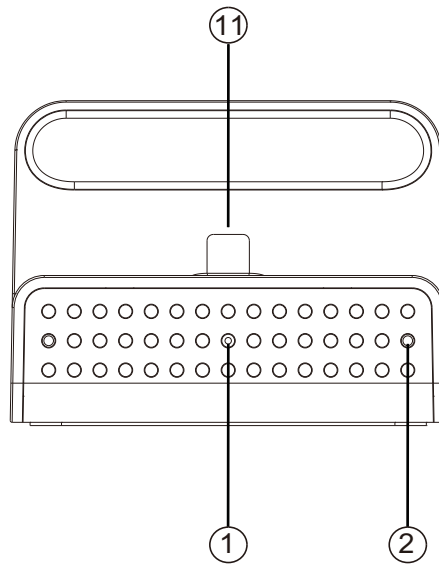
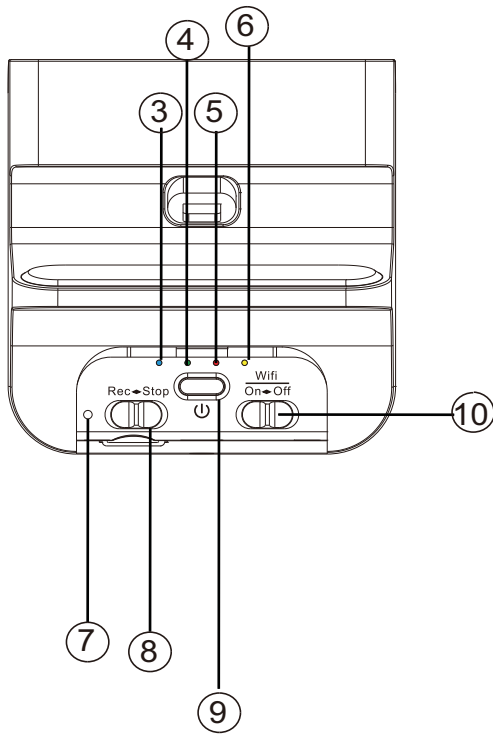
Smartpone Dock di Ricarica DVR

Guida Veloce



LawMate, l'innovazione non si ferma mai

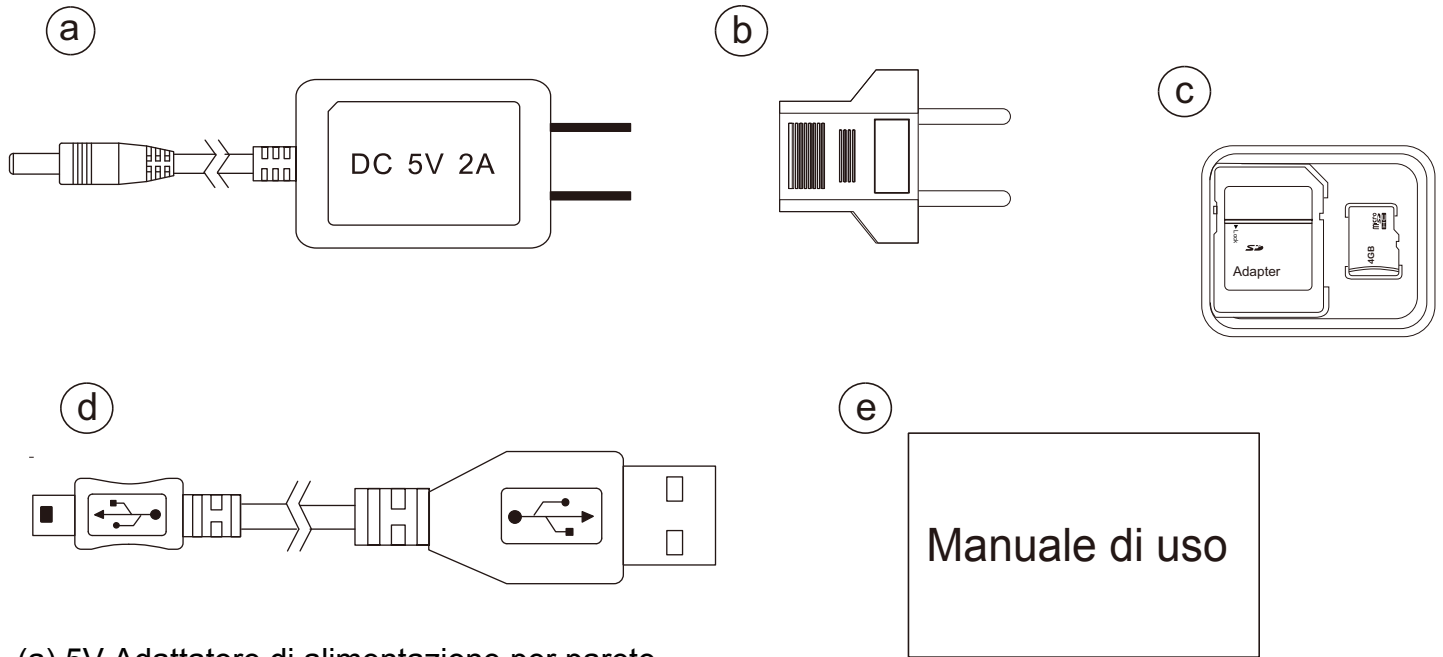
1. Nome e Parti



1. Obiettivo della telecamera
2. Microfono*
3. LED di alimentazione (blu)
4. Registrazione LED (rosso)
5. Wifi LED (arancione)
6. LED di carica (verde)
7. Pulsante di default
8. Continuo / Motion Detection Rec Interruttore
9. Alimentazione On / Off
10. Wi-Fi Interruttore (sinistra On/ destra Off)
11. Lampo
12. Slot per scheda di memoria
13. DC 5V Slot
14. USB Porta

※Microfoni non sono disponibili per USA

2. Contenuto Pacchetto

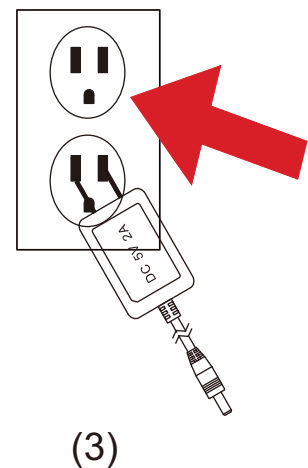
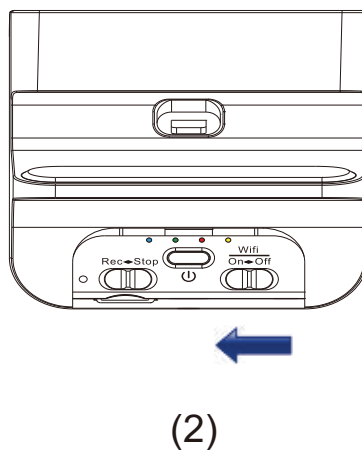
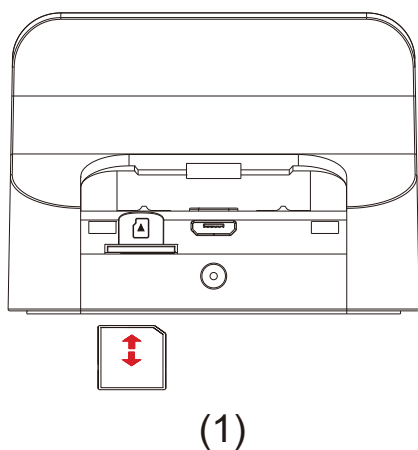


- (a) 5V Adattatore di alimentazione per parete
- (b) Adattatore Testa - Norma Europea
- (c) Scheda di memoria
- (d) USB Cavo di collegament
- (e) Manuale di uso

3. Operazioni di registrazione

3.1 Inserire scheda di memoria nello slot come illustrato in figura 1.

3.2 Per accendere il Wi-Fi, spostare interruttore (8) verso sinistra come illustrato in figura 2.



3.3 È sufficiente collegare il 5V Adattatore in una presa elettrica come illustrato in figura 3. Premere (9) sul dispositivo e LED blu (3) sarà accesa. L'inizializzazione del sistema richiederà circa 40 secondi. La presenza del LED rosso (4), indica che la modalità di registrazione è accesa. Il LED arancione lampeggiante indica che l'unità è pronta per il collegamento P2P (per maggiori dettagli sulla guida connessione P2P, si prega di consultare la IP Guida rapida).

※Notare che ogni volta che il dispositivo è acceso con P2P o connessione IP, l'inizializzazione del sistema richiederà circa 40 secondi.

3.4 Indicatori LED

LED indicatori	Dispositivo
LED Rosso acceso	Recording on
LED arancione lampeggiante	Searching for P2P
LED arancione accesa	P2P Connected
LED verde accesa	IP Connected

3.5 To set the password & SSID back to default settings, please press the default button longer than 4 seconds and less than 10 seconds ; You'll see the red (4) / orange (5) /green LED (6) turning on and off at the same time.

After 40 seconds, the presence of the flashing orange LED (5) indicates that the unit is ready to start the P2P connection again (P2P password:88888888).

To set all the settings back to factory default, press the default button longer than 10 seconds;

You'll see the red (4) / orange (5) /green LED (6)

turning on and off at the same time. After 40 seconds, all the settings will be back to factory default settings.

You'll see the flashing orange LED ⑤ which indicates that the unit is back to default setting successfully.

※Please note that the operation less than 4 seconds will be invalid.

4. Continuous /Motion Detection Recording

- 4.1. For Continuous recording, please swipe ⑬ to the left.
- 4.2. For Motion Detection recording, please swipe ⑬ to the right. After 10 sec of system initialization, the unit will be ready for Motion Detection recording. Once the unit detects the moving object, it will start the recording and the red LED ④ will be on.
- 4.3. For snapshot function, please refer to the IP Quick Guide.
- 4.4. You can also use the PV Cam Viewer to change the recording mode. For further details, please refer to our IP Quick Guide, thanks.

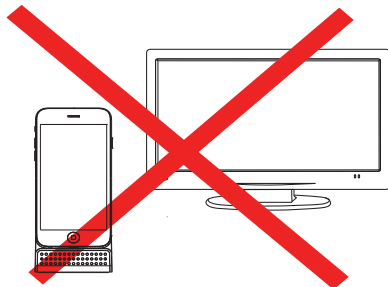
5. Retrieving Video Footage

- 5.1. Video file is stored in the SD Memory card.
- 5.2. Remove SD card from DVR.
- 5.3. Insert SD card into a card reader or SD card slot in your PC.
- 5.4. Computer detects the storage and user may browse and operate the storage as typical folder directory. i.e. Rename, copy and paste, delete, duplicate, etc.
※Please note that vidoe files will be named as V+year +month+time; e.g. V20150721010101

6. Date and time setting (for Windows system)

- 6.1. From the desktop right-click to open Notepad, create a text file named settime.txt
 - 6.2. On the first line of the file, enter date and time information as year.month.day hours.minutes.seconds
For example, suppose the time is October 16, 2015 15:00. Then enter 2015.10.16 15:00:00
 - 6.3. Save the file to the root directory of the memory card.
 - 6.4. Insert the memory card into the slot, and power on the device. The date and time setting is now completed.
- Note : When the date and time setting is completed. The settime.txt file will not be visible when you connect the device to the computer again.

※Please note that PV-CHG20i does not include A/V Out Connection



A/V Out Connection

7. Charging Functionality

- 7.1 Beyond being a hidden camera, the unit can actually function as a working smartphone charger. It charges your phone like a normal docking .

※Please note that when you try to charge your phone through the unit, the power it receives will be lesser than the power it receives when connected to a wall charger.